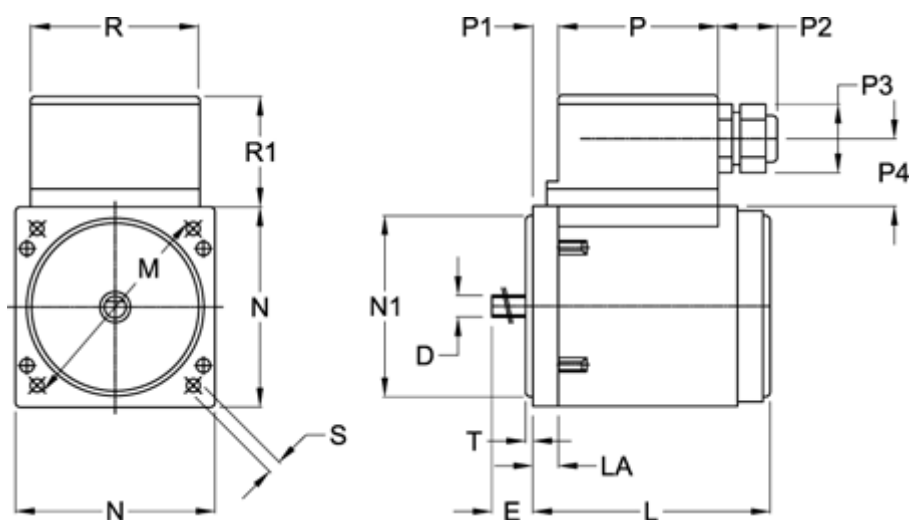


Article number: 7211800252461

Description: Induction Motor 8IN25GN4CT 25W term box
1250rpm 1x220-240V 50HZ pinion shaft

Measures



D Diameter	= 7.2	Number of teeth	= 10	S	= 4x \varnothing 5,5
E	= 12	P	= 53.5	T	= 2
L	= 85	P1	= 4	Weight (kg)	= 1.8
LA	= 6.5	P2	= 25		
M Diameter	= 94	P3	= 27		
Module	= 0.5	P4	= 27.5		
N	= 80	R	= 55		
N1 Diameter	= 73	R1	= 45.5		